


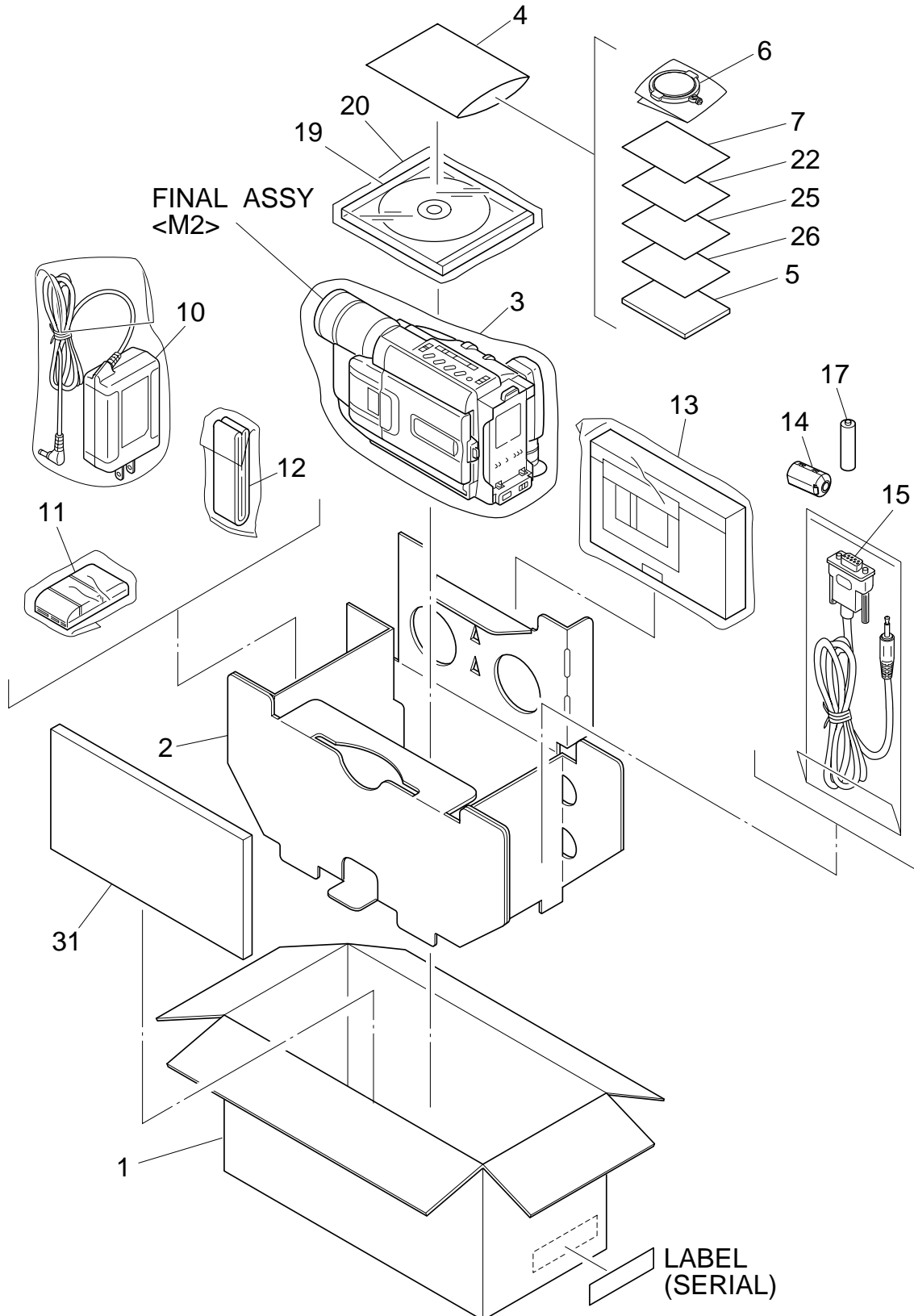
# SECTION 5 PARTS LIST

## SAFETY PRECAUTION

Parts identified by the  symbol are critical for safety. Replace only with specified part numbers.

### 5.1 PACKING AND ACCESSORY ASSEMBLY <M1>

The instruction manual to be provided with this product will differ according to the destination.



# △ REF No. PART No. PART NAME, DESCRIPTION  
 \*\*\*\*\*

**PACKING AND ACCESSORY ASSEMBLY <M1>**

1	LY32179-004A	PACKING CASE,SXM235U
	LY32179-005A	PACKING CASE,SXM935U
2	LY32065-001A	CUSHION
3	LY30023-002A	POLY BAG
4	QPA02003506	POLY BAG
△ 5	LYT0692-001A	IB(EN),SXM235U
△ 5	LYT0693-001A	IB(EN),SXM935U
6	LY41538-002B	LENS CAP
7	BT-51020-2	REGIST.CARD
△ 10	LY20739-001A	AC ADAPTER,AP-V10U
△ 11	YQ10629A	BATTERY PACK,BN-V11U,SXM235U
△ 11	LY31199-001A	BATTERY PACK,BN-V20BU,SXM935U
12	LY20186-001A	SHOULDER STRAP
13	YQ31963A-3	CASSETTE ADAPTER
	or YQ31963B-3	CASSETTE ADAPTER
14	QQR0491-002	CORE FILTER,SXM935U
15	QAM0084-001	PC CONNECTION CABLE,SXM935U
17	-	AA(R6)BATTERY,FOR CASSETTE ADAPTER
19	LY31133-001B	CD ROM,SXM935U
20	LY30023-010A	POLY BAG,SXM935U
22	YU30843-4	SOFT WARE PERM.,SXM935U
△ 25	LYT0309-001B	IB(SOFT)(EN),SXM935U
26	LYT0309-004A	SHEET(INSTALL),SXM935U
31	LY43032-001A	SPACER(PACKING),SXM935U

**• INSTRUCTIONS**  
 EN ..... ENGLISH